

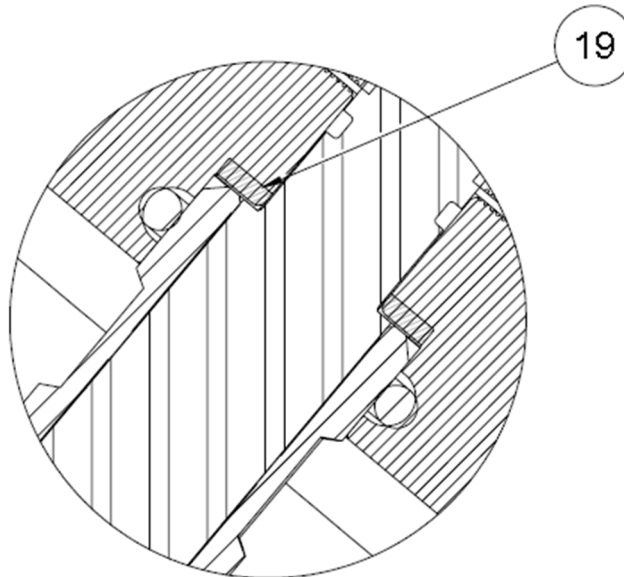
November 23, 2022

PERFORMANCE BULLETIN 134

K537 Diaphragm Plate Changed to Casting

The Upper and Lower Diaphragm Plates on K537 valves are being changed to 303 Stainless Steel casting. This update is being done to reduce weight of the plates. New Part Numbers are being introduced for the individual plates as shown below, but repair kit and valve Part Numbers will remain unchanged. The Stainless Steel plates are fully interchangeable older versions of the plates.




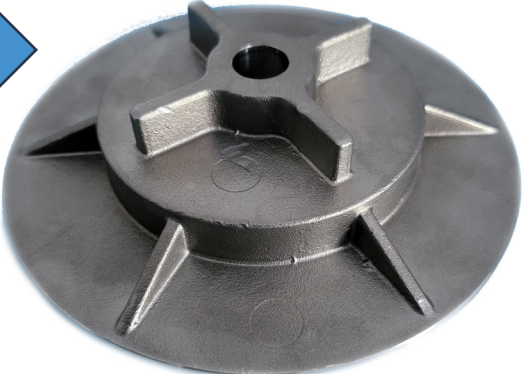
Because of this update, washer PN 43328, item 19 below, will no longer be required between the top of the Shaft and Lower Diaphragm Plate. If switching Diaphragm Plates from Plastic to Stainless Steel, remove and discard washer PN 43328.



Washer Item 19 used on Plastic Diaphragm Plates Only
Remove Washer Item 19 when installing Stainless Steel Diaphragm Plates



AQMATIC
Valves & Controls

Bar Stock Lower Diaphragm Plate PN 4510494	Cast Lower Diaphragm Plate PN 4510653
	
Bar Stock Upper Diaphragm Plate PN 4510495	Cast Upper Diaphragm Plate PN 4510654
	

If any questions should arise, please contact us at:

TechSupport@AQ-Matic.com

+1-262-326-0100.

Thank you for your business.